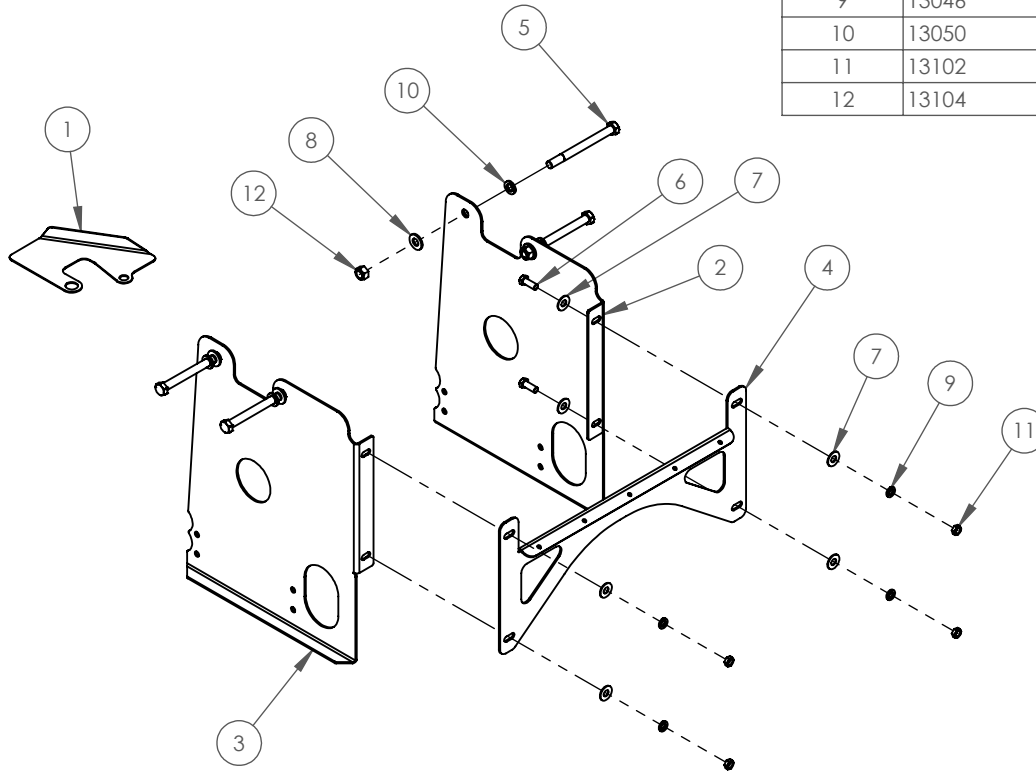


ITEM NO.	PART NUMBER	DESCRIPTION	QTY.
<i>Parts</i>			
1	20841	Plate - 14ga - Line Holder - w/Bends	1
2	20844	Plate - 11ga - Cummins Onan RV QG 2500 LP (DS) - w/Bends	1
3	20845	Plate - 11ga - Cummins Onan RV QG 2500 LP (DS) - w/Bends	1
4	20846	Plate - 11ga - Generator Cross Brace Plate - w/Bends	1
<i>Hardware</i>			
5	12041	Bolt - 1/2"-20 x 5.50" - Gr.8	4
6	12210	Bolt - 3/8"-16 X 1.00 - Gr.5	4
7	13002	3/8" Flat Washer	8
8	13004	Flat Washer USS - 1/2" - Z	8
9	13046	3/8" Lock Washer	4
10	13050	1/2" Lock Washer	4
11	13102	LOCK NUT - 3/8"-16 GR5	4
12	13104	Lock Nut - 1/2"-13 - Gr.5	4



						<b>A</b> DO NOT SCALE DRAWING 1:12 Approximate Weight = lbs
					UNLESS OTHERWISE SPEC. DIMS. IN INCHES STD. TOLERANCES .X.X ±.060 X.XX ±.030 X.XXX ±.010 FRAC.DIM. ±1/32" Deg. ±.5°	MATL SPECS: DESCRIPTION: <b>Kit - Cummins Onan Generator Mounting Brackets &amp; Hardware Kit</b> PROJECT: <b>2014+ Mercedes-Benz Sprinter Van - 3500 - DRW - 170</b> PART NUMBER: <b>10012821</b> DESIGN BY: <b>Troy Anderson</b> DATE: <b>12/7/2022</b>
REV	ECN	CHANGE DESCRIPTION	CHANGE BY	DATE	NOTICE: THIS DOCUMENT AND ITS CONTENTS ARE THE PROPERTY OF KELDERSMAN MFG. NO USE OR COPIES MAY BE MADE WITHOUT WRITTEN PERMISSION FROM KELDERSMAN.	

