

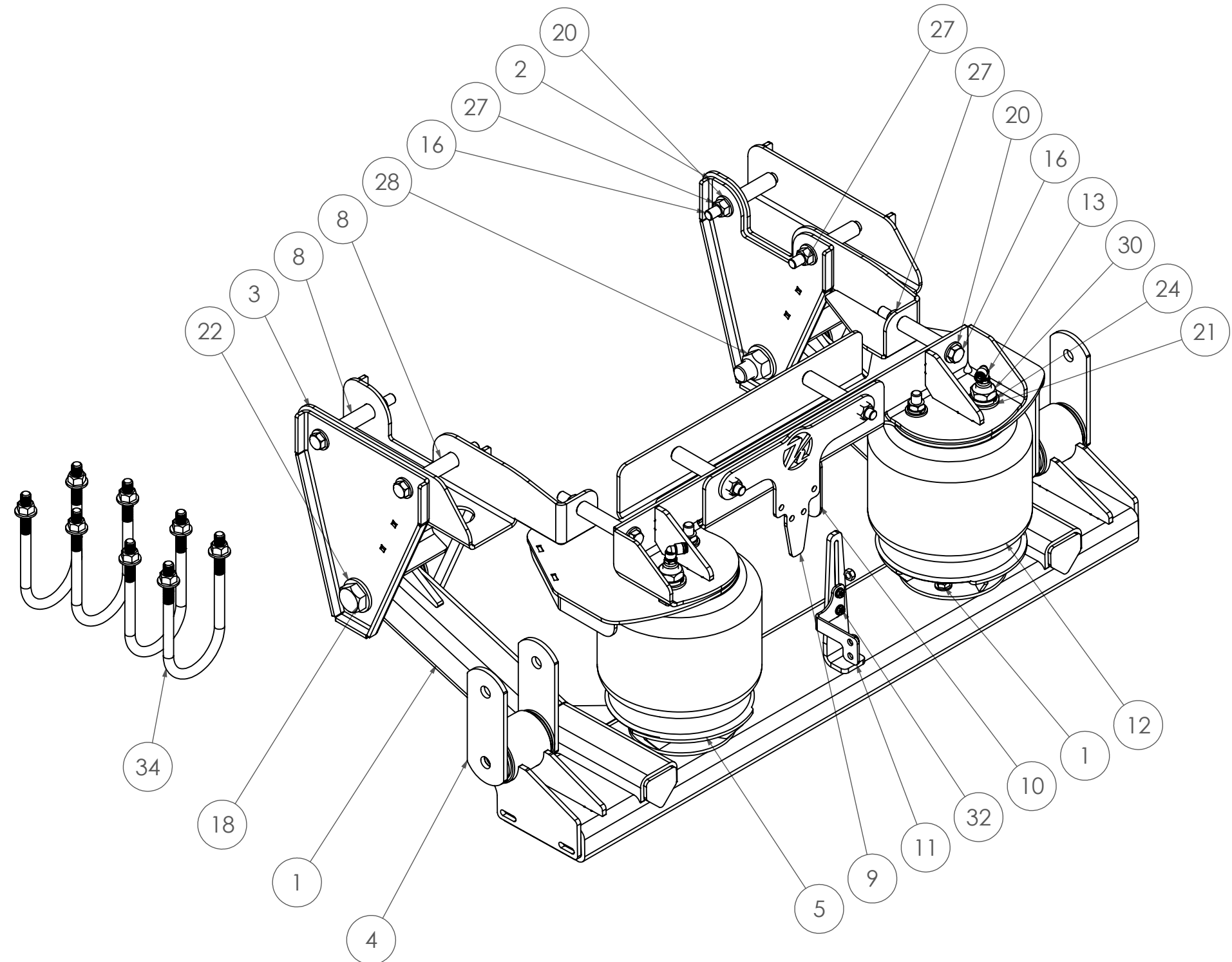
4

3

2

1

ITEM NO.	PART NUMBER	DESCRIPTION	QTY.
<i>Assemblies</i>			
1	10012182	Assembly - 2" Lift Swing Arm	1
<i>Weldments</i>			
2	20802	Weldment - Top Frame Swing Arm Mount (PS)	1
3	20803	Weldment - Top Frame Swing Arm Mount (DS)	1
4	10012902	Weldment - Shackle Link - 4.19"	4
5	10013015	Weldment - 1-5/8" Bag Riser (5323)	2
6	10013120	Weldment - Top Frame, Upper - 5323 Bag	1
7	10013122	Weldment - Top Frame, Lower - 5323	1
<i>Parts</i>			
8	20812	Bushing - L 3-1/8" ID 17/32 OD 3/4"	4
9	10012820	Plate - 7ga - Magnet Sensor Bracket	1
10	10013114	Plate - 11ga - Haldex Sensor Adaptor Plate - Frame Side - w/Bends	1
11	10013116	Plate - 11ga - Haldex Sensor Adaptor Plate - Swing Arm Side - w/Bend	1
<i>Purchased Parts</i>			
12	80012-5323	Air Bag - Firestone 5323	2
13	80094	90° Male Elbow Tube 1/4" x 1/4-18 NPT	2
<i>Hardware</i>			
14	12007	Bolt - 1/2"-20 x 1.50" Gr.8	2
15	12020	Hex Bolt - 1/2"-13 x 3" - GR5 - Z	2
16	12037	Bolt - 1/2"-20 X 5" Gr.8	8
17	12110	Bolt - 1/4"-20 x 1" - Gr.5	2
18	12631	Bolt - 7/8"-14 X 5 1/2" - GR8	2
19	13000	1/4" Flat Washer	4
20	13004	Flat Washer USS - 1/2" - Z	24
21	13008	Flat Washer USS - 3/4" - GR5 - Z	2
22	13030	Flat Washer SAE - 7/8" - GR8 - YZ	4
23	13050	1/2" Lock Washer	4
24	13056	3/4" Lock Washer	2
25	13100	Nut - Locking - 1/4" - 20 - GR5	2
26	13101	Lock Nut - 5/16"-18 Gr.5 - YZ	2
27	13104	Lock Nut - 1/2"-13 - Gr.5	10
28	13130	Lock Nut - 7/8"-14 - Gr.8 - YZ	2
29	13144	Hex Nut - 1/2"-13 - Gr.5	2
30	13208	Jam Nut - 3/4"-16 - GR5 - Z - (RHT)	2
31	14062	FLAT WASHER - SAE - #10	4
32	14096	Hex Head Machine Screw - #10-24x3/4"	2
33	14097	Hex Nut: #10-24 - GR5 - Z	2
34	10013429	Kit - U-Bolts - CEB 1.4" Riser Block Elimination	1



REV	ECN	CHANGE DESCRIPTION	CHANGE BY	DATE	3RD ANGLE PROJECTION	B	DO NOT SCALE DRAWING	1:16	Approximate Weight = 159.46 lbs
B		Shackle +3/4"	TA	6/29/22	UNLESS OTHERWISE SPEC. DIMNS. IN INCHES STD. TOLERANCES X.X ±.060 X.XX ±.030 X.XXX ±.010 FRAC.DIM. ±1/32" Deg. ±.5°	MATERIAL SPECIFICATIONS:			
C		Change to 5323 Bag	TA	9/14/22		DESCRIPTION: Kit - 2" Lift - 2-Stage Rear - 2WD			
						PROJECT: 2014+ Mercedes-Benz Sprinter Van - 3500 - DRW - 170" WB			
						PART NUMBER: 10012180		DESIGN BY: Troy Anderson	
						DATE: 12/7/2022		NOTICE: THIS DOCUMENT AND ITS CONTENTS ARE THE PROPERTY OF KELDERSMAN MFG. NO USE OR COPIES MAY BE MADE WITHOUT WRITTEN PERMISSION FROM KELDERSMAN	



SHEET 1 OF 4

4

3

2

1